



File was found and ready to download!

UPDATED 14 HOURS AGO

Fastest Source: [usenet.nl](https://www.usenet.nl)

Click the **download button** and select one of the found **cloud sources**.

6.4



2865 VIEWS

[Download](#)

SECURE SCANNED

You need to [log in](#) before you can post comments.



Navigation

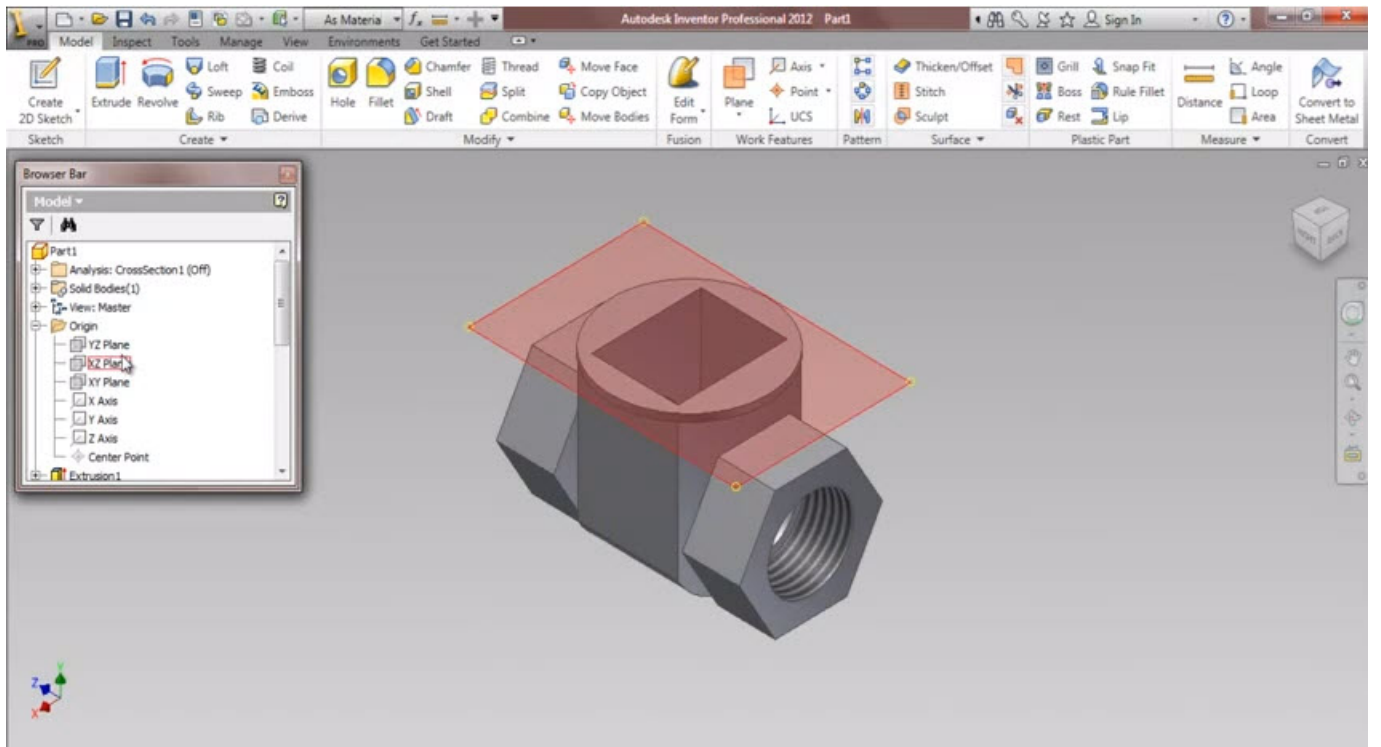


Registration



FAQ

[Student Autodesk For Mac](#)



[Student Autodesk For Mac](#)



File was found and ready to download!

UPDATED 14 HOUES AGO

Fastest Source: [usenet.nl](#)

Click the **download button** and select one of the found **cloud sources**.

6.4



2865 VIEWS

Download 

 SECURE SCANNED

You need to [log in](#) before you can post comments.



Navigation



Registration



FAQ

3D Designers, graphics ninjas and other users who deal with technical drawing use it to create and explore ideas like never before.. In addition, we provide full support for a number of products when used on the Mac in virtualized environments including Parallels Desktop and VMware Fusion.. Autodesk For Mac OsAdditionally, get Maya 2017 1 full version As an additional advantage, the Autodesk Maya 2017 Crack mac and windows.. Use software anywhere Use your software at home or when traveling Access previous versions Download and use previous releases (available for most Autodesk products).

12 or later; Mac® OS X® El Capitan v10 11 or later Model Apple Mac Pro® 4,1 or later; MacBook Pro® 5,1 or later; iMac® 8.. Discounts vary depending on the length of subscription: up to 20% off on the purchase of a new 1-year and up to 25% off on the purchase of a new 2-year or 3-year subscription.. • Customize the ribbon and tool palettes • Customize with add-on apps and APIs.. Free for students, teachers and educators, Fusion 360 is everything you need for design, engineering and collaboration.

student autodesk

student autodesk, student autodesk download, student autodesk fusion 360, student autodesk robot, student autodesk fusion, student autodesk register, student autodesk 2020, student autodesk mac, student autodesk cfd, student autodesk activation code, student autodesk inventor

You may also like AutoCAD 2020 for Mac Free Download. All graphic essentials like animation, surfaces, polygons or dynamics can be opened via tabs, while more progressive editing features are accessible in the Attribute Editor panel.

student autodesk fusion 360

Autodesk For Mac OsParallels Desktop Offers for Mac for Students September 6, 2015 Softwares Leave a comment 179 Views.. System requirements for AutoCAD for Mac 2018 Operating System Apple® macOS® High Sierra v10.. Please note that product lists may be limited in certain countries Autodesk's Suggested Retail Price is used for reference purposes only, and may not be in your local currency.. Autodesk SketchBook Serial number trade-in offer For industry collections or qualifying individual products, customers can save up to 25% on the Autodesk Suggested Retail Price (SRP) for eligible 3-year term subscriptions with single-user access, or up to 20% on the SRP for eligible 1-year term subscriptions with single-user access when they trade-in qualifying associated seats of 1998- 2021 perpetual licenses.

student autodesk fusion

Connected collaboration Access your drawings from desktop, web, and mobile Autocad map 3d toolset NOW INCLUDED WITH AUTOCAD Incorporate geographic information system and CAD data with an industry-specific toolset for GIS and 3D mapping.. The system must meet the following requirements Autodesk inventor for mac os Autodesk Maya License Key Fully Updated Autodesk Maya 2017 Crack mac and keygen interface might be at first, particularly for learners, but you can learn how to use the app and how all features are prepared by following the lessons offered on the developer's page.. Autodesk provides many native Mac products for 3D modeling, CAD, rendering, animation, VFX, and digital imagery.. Compare AutoCAD vs AutoCAD for Mac Autodesk For Mac SoftwareAutodesk For Mac StudentNo more Bootcamp, Parallels or switching between a PC and Mac, well, yes, but no.. Revit, Inventor, and Fusion 360, as well as SketchUp, Unity, and Unreal, all work with 3ds Max.. Autodesk AutoCAD 2018 2 for Mac Free Download is setup of standalone compressed file.. The most recent version of AutoCAD includes improvements like a replacement stunning visual experience, enhanced documentation, and new design features. e10c415e6f